

LED TRACK LIGHT



LVA/17TL

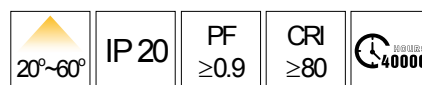
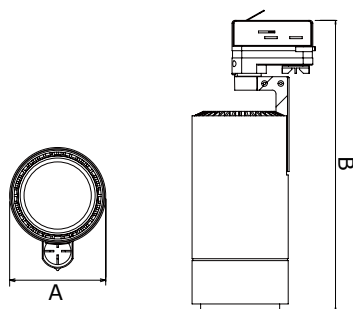
Luvia Lighting Concepts track light adopts COB led chip.

AL6063 Aluminum profile provides excellent thermal dissipation.

Isolated driver solution achieves stable working performance version achieves stable working performance.

Advanced zooming technology

Application: Suitable for commercial and residential applications like office, supermarket, shop, school, hotel, restaurant, workshop, warehouse, home etc.



Model	Voltage	Power	Non-DIM Lumen (±5%)			
			2700K	3000K	4000K	5000K
LVA/17TL-A-35W	AC220-240V	35W	2000~3100	2040~3020	2340~3450	2200~3300

Model	Dimension(mm)		Product size (mm)	Net weight (kg)	Carton size (mm)	Q'ty/CTN (pcs)
	A	B				
LVA/17TL-A-35W	Ø100	301	Ø100x301	1.5	365x310x255	6