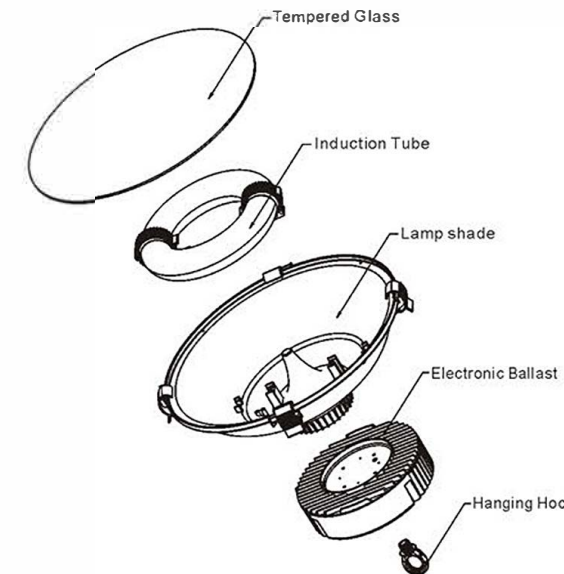
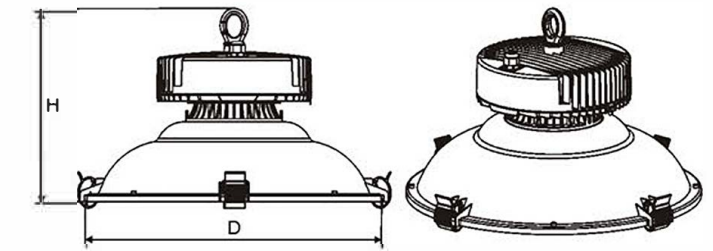


GDD Series IP66

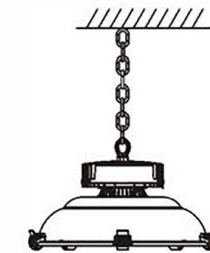


Lamp Size: (Unit: mm)

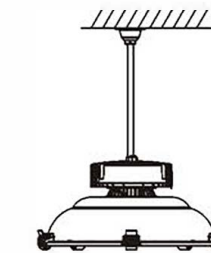


Model	Power (W)	D (mm)	H (mm)
GDD228A	40-60	Φ358	~289
GDD228B	80-100	Φ399	~289
GDD228C	120-150	Φ478	~312
GDD228D	200	Φ506	~320
GDD228E	250-300	Φ556	~331

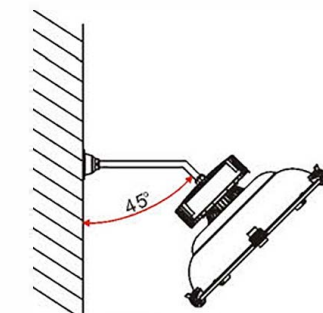
Installation Diagram:



Hanging chain installation



Hanging tube mounting



Wall mounting

Technical Data:

Product	GDD228 High Bay Lamp Series									
Wattage (W)	40	60	80	100	120	150	200	250	300	
Model	GDD228A		GDD228B		GDD228C		GDD228D	GDD228E		
Luminous Flux (lm)	2800	4500	6400	8000	9600	12000	16000	21250	25500	
Voltage (V)	Standard voltage AC220-240V 50HZ/60HZ, Products of voltage AC100V-AC120V 50HZ/60HZ can be produced according to customers requirements									
Current (A)	0.2	0.3	0.39	0.49	0.58	0.73	0.96	1.2	1.43	
Current 110V (A)	0.4	0.6	0.78	0.98	1.16	1.46	1.92	2.4	2.86	
Ballast Consumption(W)	4	5	6	7.5	8.5	10	11.5	13	15	
Power Factor	0.9		0.95			0.98				
Color Temperature	Standard color temperature of 5000K, other conventional color temperature: 2700K/4000K/6500K, to be ordered for additional color temperature									
Ambient Temperature	Standard products working at -25°C ~ 50°C, Products can be customized for -40°C ~ 20°C									
IP Rated	IP66									
Dimming	Timing dimming or dimming external trigger terminal									
Product Size(mm)	Φ358x289		Φ399x289		Φ478x312		Φ506x320	Φ556x331		
Carton Size(Cm)	42X42X31		46X46X31		53 5X53 5X32 5		56 5X56X33	63X63X33 5		
Net Weight(kg)	5	5	5.6	5.7	5.87	5.87	7.45	9.6	9.6	
Gross Weight(kg)	7	7	7.8	7.8	8.4	8.4	9.78	11.7	11.7	
Model	GDD228-WJ40/T	GDD228-WJ60/T	GDD228-WJ80/T	GDD228-WJ100/T	GDD228-WJ120/T	GDD228-WJ150/T	GDD228-WJ200/T	GDD228-WJ250/T	GDD228-WJ300/T	

GDD228 SERIES

Applications:

Airports, Sports Venues, Petrol Stations, Playgrounds, Railway Stations, Warehouses and Workshops.

Features:

- > Design unique to BEMI.
- > Lightning protection design, can withstand less than 20KV lightning interference.
- > Applied with BEMI 40W-300W round tube induction lamp provides efficient, long life, excellent colour rendering and stable lighting.
- > Durable die-casting aluminium electrical box-high temperature baked and corrosion resistant.
- > Integrated die-casting aluminium lampshade and reflector with perfect high purity appearance.
- > Imported nano diffused reflection technology, effectively increasing the reflectivity up to 90%.
- > Tempered glass cover with heat resistant silicone seal and high strength aluminium hasp-luminousness can reach 90%.
- > Integrated ballast and lamp design allows easy installation, maintenance, efficient cooling and greater life between services.
- > Energy efficient, reduce maintenance costs and environmentally friendly.

Material and Technique:

- > ADC12 die-casting aluminium.
- > Lamp body adopts high temperature baked quality dark gray corrosion resistant coating process.
- > 200°C high temperature resistant Nano-coating process temperature diffuser.
- > Ultra-white tempered glass illuminating surface.
- > Imported rubber sealing ring.
- > 304 stainless steel screw hasp.

Light distribution curve:

