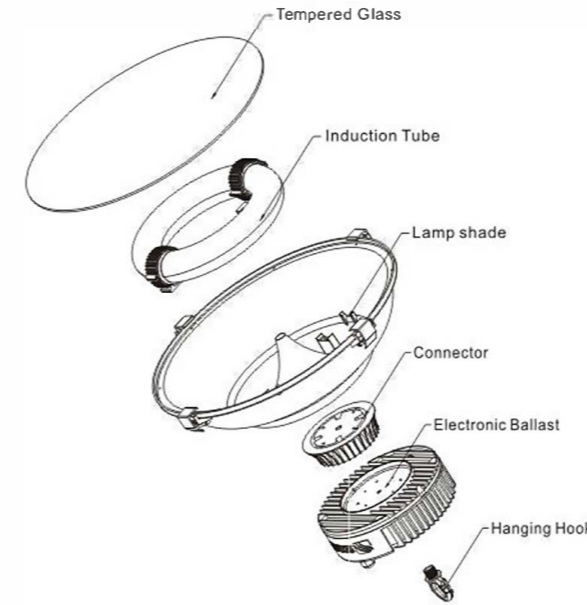
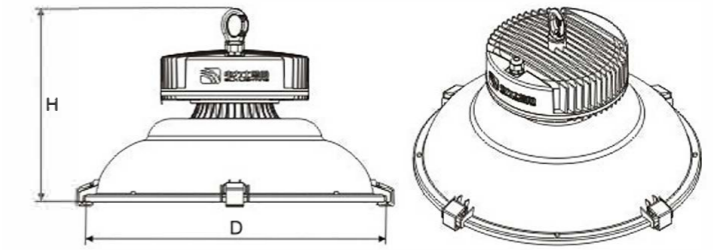


Patent No.: 201320166765.3
201330052371.0
201320105623.6
201330064276.2



Lamp Size: (Unit: mm)



Model	Power (W)	D (mm)	H (mm)
GDD226A	40-60	φ358	~289
GDD226B	80-100	φ399	~289
GDD226C	120-150	φ478	~312
GDD226D	200	φ506	~320
GDD226E	250-300	φ556	~331

GDD226 SERIES

Applications:

Airports, Sports Venues, Petrol Stations, Playgrounds, Railway Stations, Warehouses and Workshops.

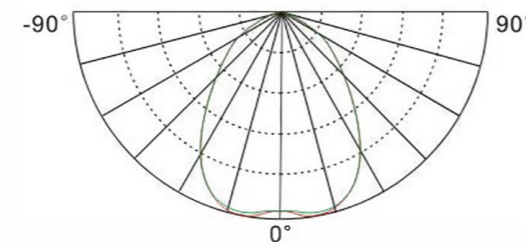
Features:

- > Unique design
- > Lightning-proof design, can withstand less than 20KV lightning interference.
- > Applied with 120W-300W round tube induction lamp provides long life, excellent colour rendering and stable lighting.
- > Durable die-casting aluminium electrical box – high temperature baked and corrosion resistant.
- > Inner reflector applied with imported heat resistant vacuum, effectively increasing the reflection space up to 90%.
- > Integrated ballast and lamp design allows easy installation, maintenance, efficient cooling and greater life between services.
- > Energy efficient and environmentally friendly.
- > Varieties of dimming ways available.

Material and Technique:

- > ADC12 die-casting aluminium lamp shape.
- > Lamp body adopts high temperature baked quality dark gray corrosion resistant coating process.
- > 200°C high temperature resistant vacuum coating process temperature diffuse.
- > Applied with high transmittance tempered glass cover.
- > Silicone sealing ring.
- > High strength 6063 aluminium hasp.

Light distribution curve:



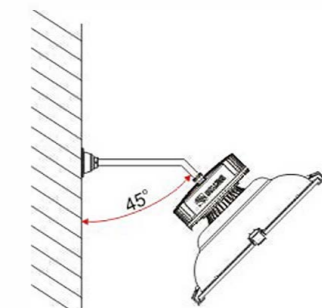
Installation Diagram:



Hanging chain installation



Hanging tube mounting



Wall mounting

Technical Data:

Product	GDD226 High Bay Lamp Series								
Wattage (W)	40	60	80	100	120	150	200	250	300
Model	GDD226A		GDD226B		GDD226C	GDD226D	GDD226E		
Luminous Flux (lm)	2800	4500	6400	8000	9600	12000	16000	21250	25500
Voltage (V)	AC100-277V 50Hz/60Hz								
Current 220V (A)	0.2	0.3	0.39	0.49	0.58	0.73	0.96	1.2	1.43
Current 110V (A)	0.4	0.6	0.78	0.98	1.16	1.46	1.92	2.4	2.86
Ballast Consumption (W)	4	5	6	7.5	8.5	10	11.5	13	15
Power Factor	0.9		0.95			0.98			
Color Temperature	Standard color temperature of 5000K, other conventional color temperature: 2700K/4000K/6500K, to be ordered for additional color temperature.								
Ambient Temperature	Standard products working at -25°C - 50°C.								
IP Rated	IP66								
Dimming	Timing dimming or dimming external trigger terminal.								
Product Size (mm)	φ358x289		φ399x289		φ478x312	φ506x320	φ556x331		
Carton Size (cm)	42x42x31		46x46x31		53.5x53.5x33	56.5x56.5x34.5	63x63x35		
Net Weight (kg)	5	5	5.6	5.7	5.87	5.87	7.45	9.6	9.6
Gross Weight (kg)	7	7	7.8	7.8	8.4	8.4	9.78	11.7	11.7
Model	GDD226-WJ40/T	GDD226-WJ60/T	GDD226-WJ80/T	GDD226-WJ100/T	GDD226-WJ120/T	GDD226-WJ150/T	GDD226-WJ200/T	GDD226-WJ250/T	GDD226-WJ300/T