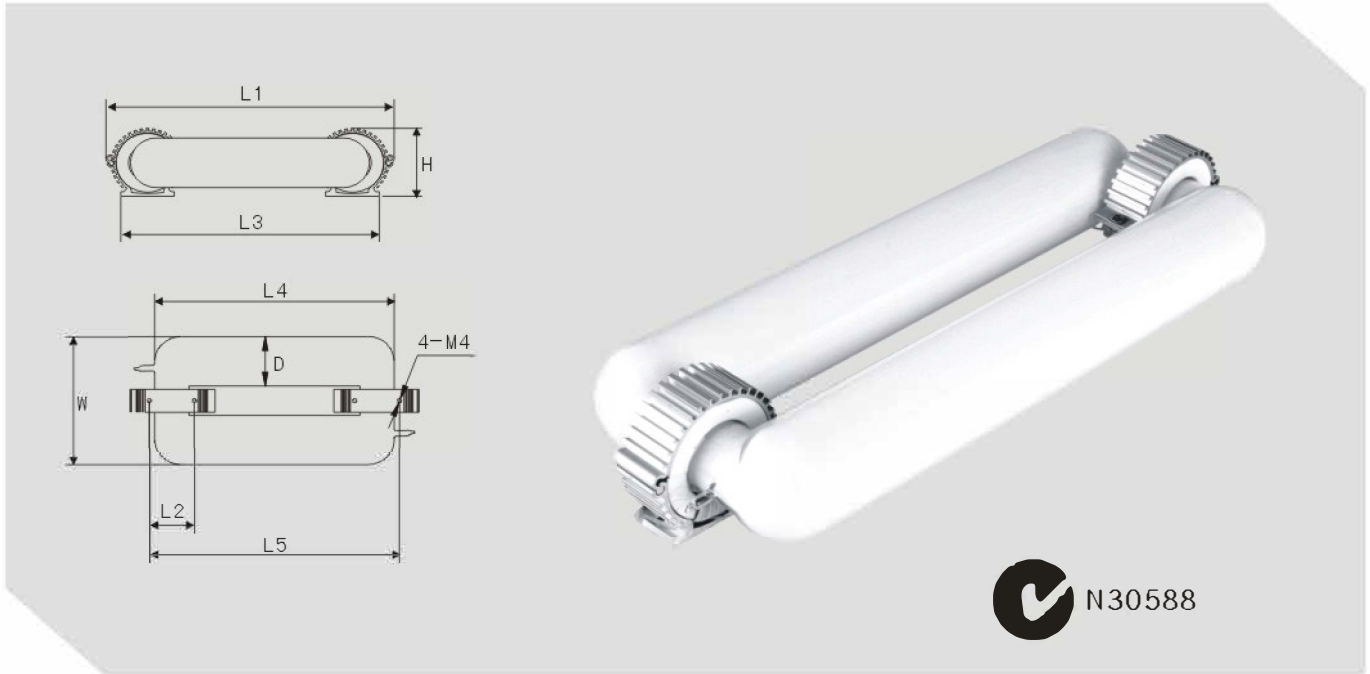


# Rectangular Tube



### Dimension:

Unit (mm)	40W	60W	80W	100W	120W	150W	200W	250W	300W	400W
L1	195	230	295	320	367	367	447	547	547	800
L2	42	46	46	46	46	46	46	52	52	52
L3	182	200	264	283	342	342	422	515	515	805
L4±2.5	150	180	245	270	320	320	400	500	500	850
L5	164	190	255	280	335	335	415	505	505	850
W±2	114	140	140	140	140	140	152	156	156	166
D±1	41	54	54	54	54	54	58	58	58	58
H±1	65	76	76	76	76	76	76	92	92	92

### Technical Data

Model	Wattage (W)	Luminous Flux (Lm)	Efficiency (Lm/W)	Color Temperature (K)	CRI (Ra)	Lumen Maintenance (2000h) (%)	Life (H)
WJY40J · RZ · W1	40	2800	70~75	5000	80	≥90	100,000
WJY60J · RZ · W1	60	4500	70~80				
WJY80J · RZ · W1	80	6800	75~85				
WJY100J · RZ · W1	100	8500					
WJY120J · RZ · W1	120	10200					
WJY150J · RZ · W1	150	12750					
WJY200J · RZ · W1	200	17000					
WJY250J · RZ · W1	250	22500	80~90				
WJY300J · RZ · W1	300	27000					
WJY400J · RZ · W1	400	36000		85~90			

- Remark: 1、 It is the color temperature for our regular product in form. According to customer's requirements, we can produce the other color temperatures between 2700K to 6500K.  
 2、 Service condition: the product can be used with ambient temperature range from 0°C ~ +50°C (No matching fixture or the open lamp).  
 3、 The products are required to use the airtight lamps when ambient temperature range from -20°C ~ +50°C.  
 4、 We can produce according to customer's requirements if it need to be used in the special environment temperature (-40°C ~ +0°C).

### Features:

- Long Performance Life: Life up to 60,000 – 100,000 hours, free of maintenance.
- High Luminous Efficacy: 70–90Lm/W.
- High Color Rendering: Color rendering index is more than 80%.
- "Instant-on" and Short re-strike Time: Unlike most conventional lamps such as HID, it can be managed "Instant-on".
- No Flickering: Operating frequency is 100~300KHZ. There is no flickering and eye fatigue can be observed. It's a truly "Green Lighting" to protect your eyes.
- Low Light Degradation: 60,000 hours luminous flux maintenance not less than 70%.
- Comprehensive Color Temperature: 2700K ~ 6500K.
- Keep a stable power supply. The unulating quantity of the voltage is not exceeding 10% of the rated voltage, power change less than 3%.
- It has a better adaptability to environment and works in -20°C~+50°C conditions. We can make the tubes in -40°C.